



Air Conditioning Technical Data

Wall mounted unit



EEDEN14-034

FTXV-AB

TABLE OF CONTENTS

FTXV-AB

1	Features	2
2	Specifications	3
	Technical Specifications	3
	Electrical Specifications	3
3	Dimensional drawings	4
4	Piping diagrams	6
5	Wiring diagrams	7
	Wiring Diagrams - Single Phase	7
6	Sound data	11
	Sound Pressure Spectrum	11

1 Features

- The infrared remote control is user friendly and equipped with a timer function that enables you to programme the unit to start or stop at your desired time.
- Turbo mode allows to rapidly heat up or cool down the room in a couple of minutes
- 24 hour timer can be set to start heating or cooling anytime during a 24 hour period
- Vertical auto swing moves the discharge flaps up and down for efficient air and temperature distribution throughout the room
- Flat, stylish front panel blends easily within any interior décor and is more easy to clean



Fan only



Comfortable sleeping mode



Vertical auto swing



Auto fan speed



Fan speed steps



Dry programme



24 hour timer



Infrared remote control



Auto-restart

2 Specifications

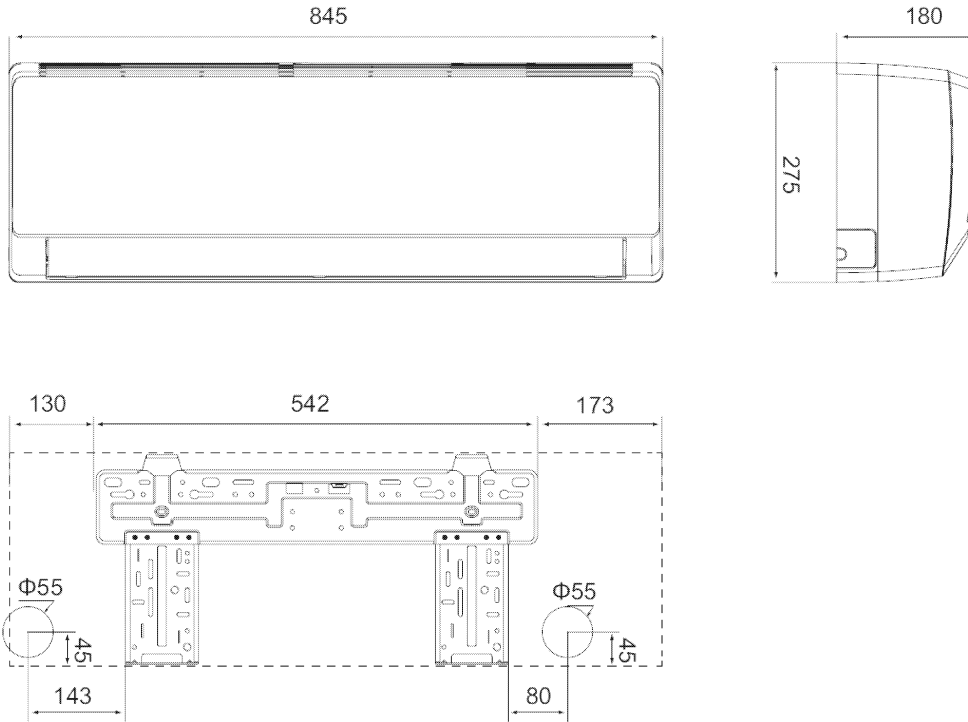
2-1 Technical Specifications				FTXV25AB	FTXV35AB	FTXV50AB	FTXV60AB	
Dimensions	Unit	Height/Width/Depth	mm	275/845/180		298/940/200	315/1,007/219	
	Packed unit	Height/Width/Depth	mm	370/918/258		383/1,013/300	398/1,076/328	
Weight	Unit		kg	9		12	14	
	Packed unit		kg	12		15	17.5	
Fan	Air flow rate	Cooling	High	m ³ /min	10	9.7	14.2	16.7
			Nom.	m ³ /min	8.3		13	13.3
			Low	m ³ /min	6.7		10.8	11.7
			Silent operation	m ³ /min	5		9.2	
Sound power level	Cooling		dBA	50	51	53	57	
Sound pressure level	Cooling	High/Nom./Low/Silent operation	dBA	41/39/34/28	42/40/35/30	48/43/40/35	51/47/42/39	
Refrigerant	Type	R-410A						
Piping connections	Liquid	OD	6.35					
	Gas	OD	9.52		12.70	15.9		
2-2 Electrical Specifications				FTXV25AB	FTXV35AB	FTXV50AB	FTXV60AB	
Power supply	Phase	1~						
	Frequency	Hz	50					
	Voltage	V	220-240					

3 Dimensional drawings

3 - 1 Dimensional Drawings

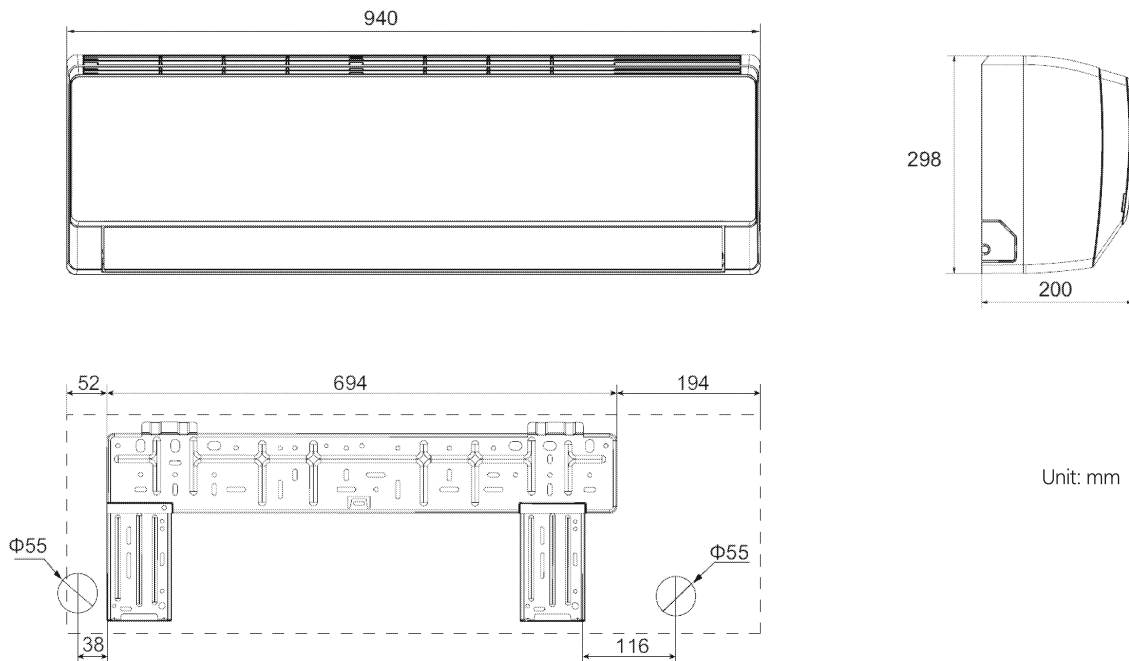
3

FTXV25-35AB



3D086224B

FTXV50AB



Unit: mm

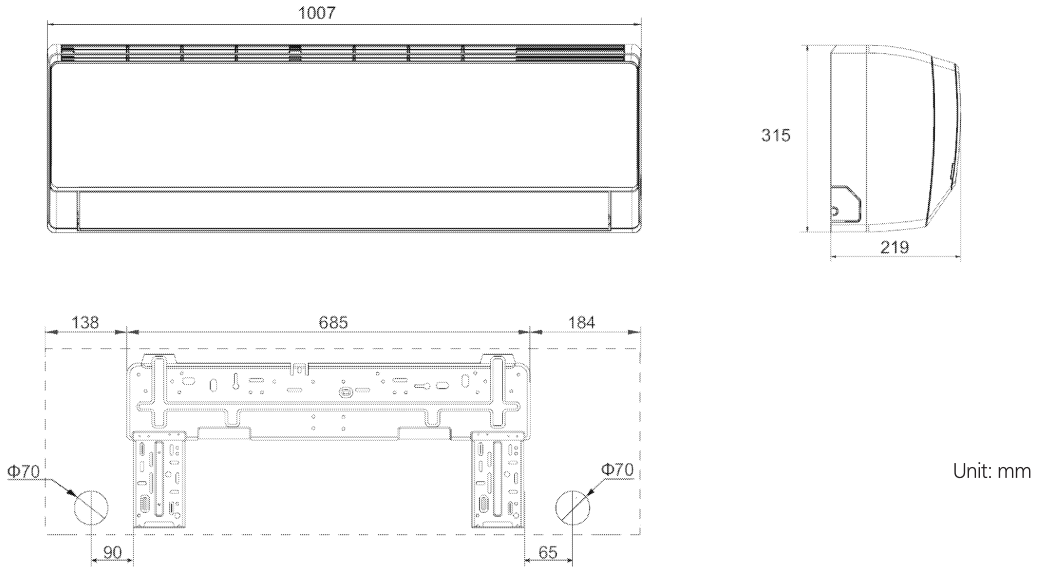
3D086229A

4

3 Dimensional drawings

3 - 1 Dimensional Drawings

FTXV60AB



3D086230A

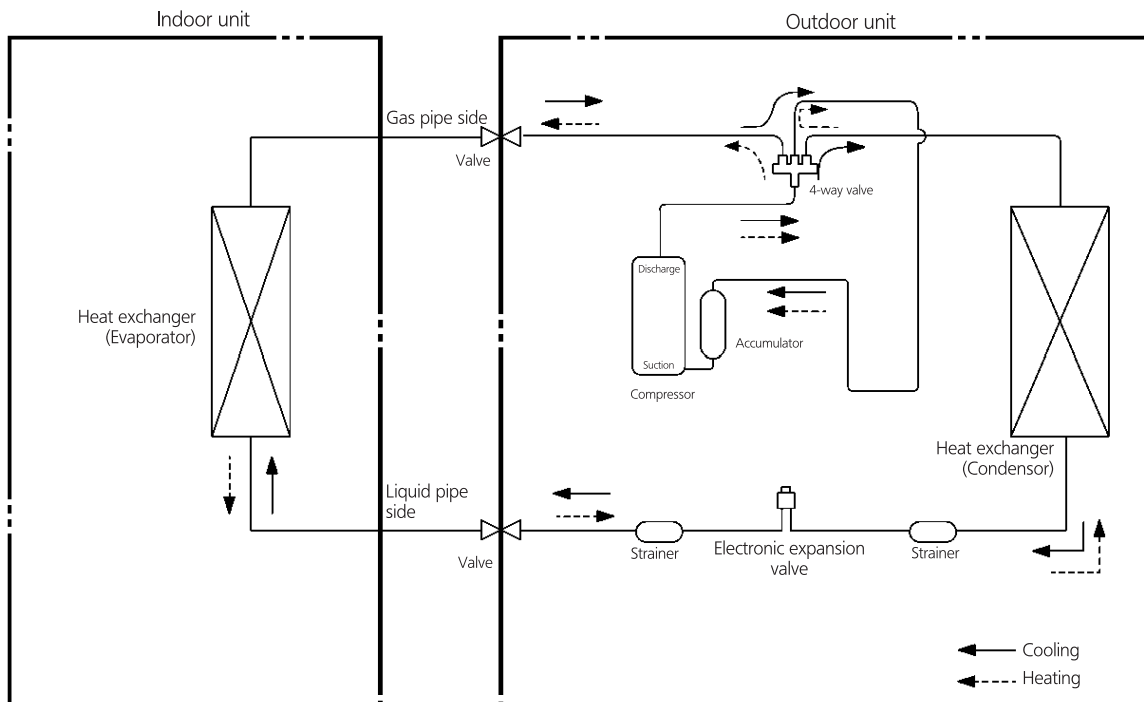
4 Piping diagrams

4 - 1 Piping Diagrams

4

FTXV25-35AB

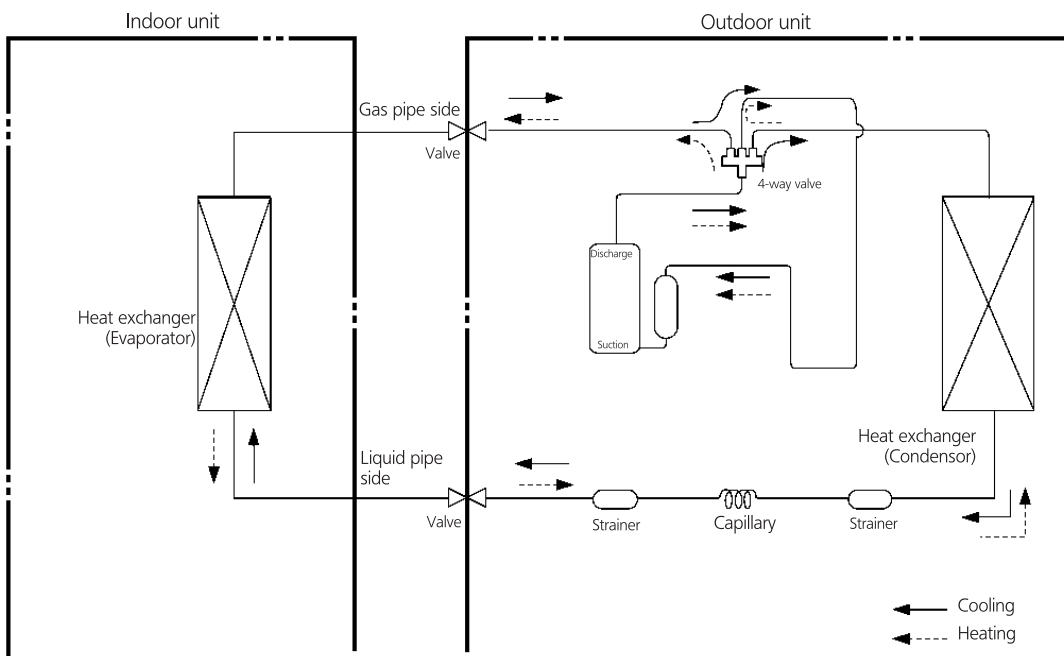
Cooling and heating model



Connection pipe specification:
Liquid pipe: 1/4" (6mm)
Gas pipe: 3/8" (9.52mm)

3D086226B

FTXV50-60AB



Connection pipe specification:
Liquid pipe: 1/4" (6mm)
Gas pipe: 1/2" (12mm)(18K)
Gas pipe: 5/8" (16mm)(24K)

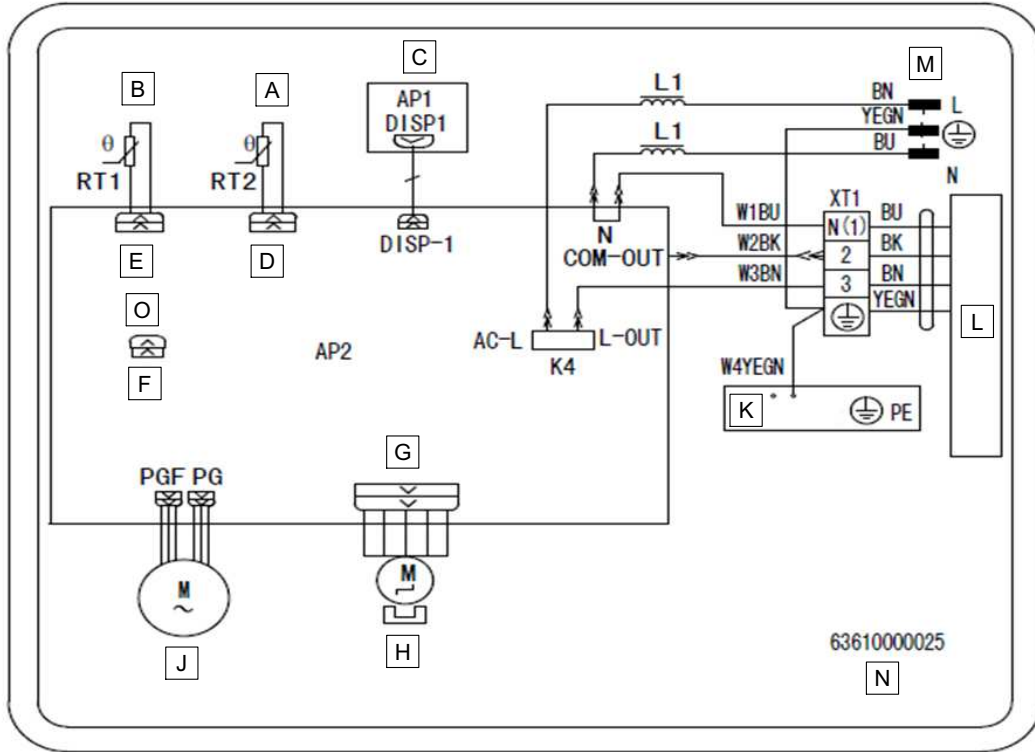
3D086233A

6

5 Wiring diagrams

5 - 1 Wiring Diagrams - Single Phase

FTXV25AB



- A: Tube temperature sensor
- B: Room temperature sensor
- C: Display
- D: Tube
- E: Room
- F: Jumper cap
- G: Swing
- H: Stepper motor
- J: Fan motor
- K: Evaporator

- L: Outdoor unit
- M: Power
- N: Indoor unit
- O: Default
- BN: Brown
- BK: Black
- BU: Blue
- YEGN: Yellow Green

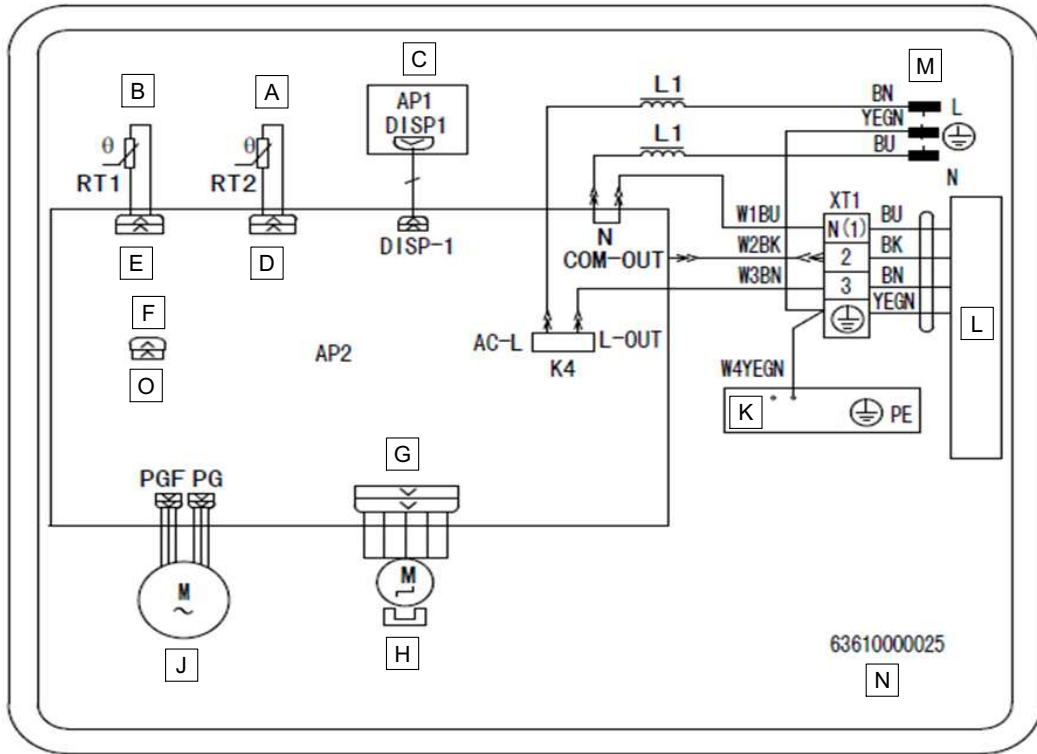
4D087781A

5 Wiring diagrams

5 - 1 Wiring Diagrams - Single Phase

5

FTXV35AB



63610000025

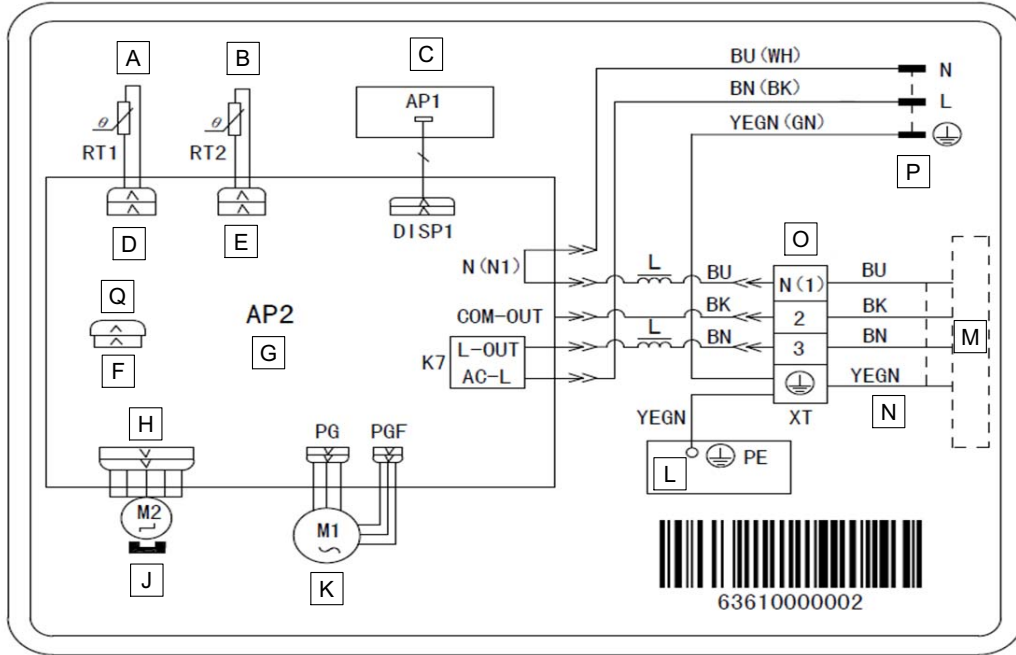
- | | |
|----------------------------|--------------------|
| A: Tube temperature sensor | L: Outdoor unit |
| B: Room temperature sensor | M: Power |
| C: Display | N: Indoor unit |
| D: Tube | O: Jumper cap |
| E: Room | BN: Brown |
| F: Default | BK: Black |
| G: Swing | BU: Blue |
| H: Stepper motor | YEGN: Yellow Green |
| J: Fan motor | |
| K: Evaporator | |

4D087782A

5 Wiring diagrams

5 - 1 Wiring Diagrams - Single Phase

FTXV50AB



- | | |
|-------------------------------|---------------------|
| A: Tube temperature sensor | L: Evaporator |
| B: Room temperature sensor | M: Outdoor unit |
| C: Receiver and display board | N: Connection cable |
| D: Tube | O: Terminal block |
| E: Room | P: Power |
| F: Jumper cap | Q: Default |
| G: Printed circuit board | |
| H: Swing | |
| J: Stepper motor | |
| K: Fan motor | |

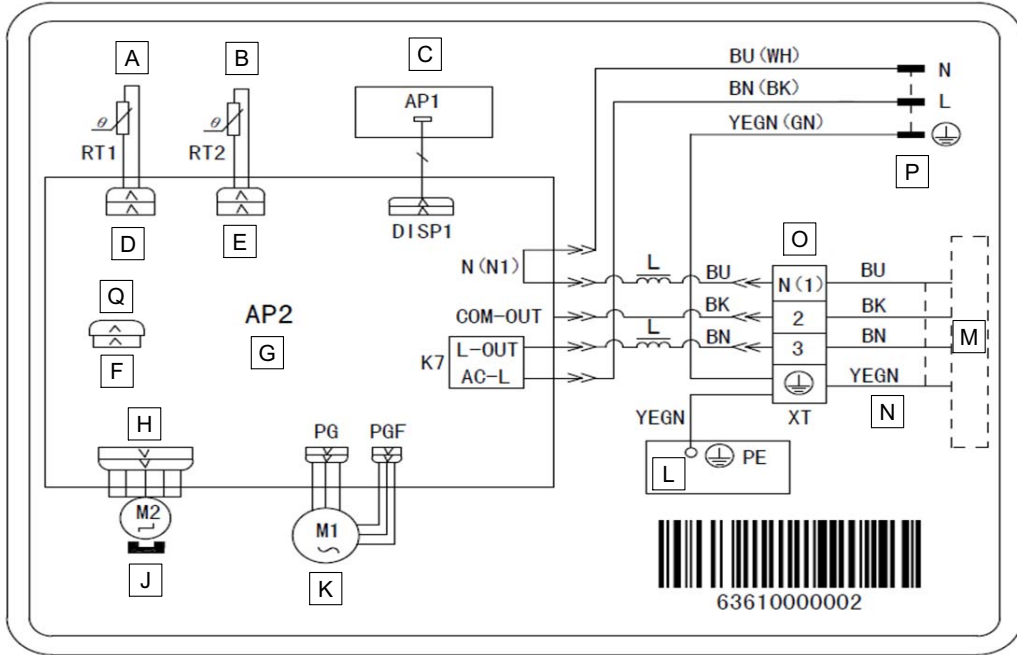
4D087784A

5 Wiring diagrams

5 - 1 Wiring Diagrams - Single Phase

5

FTXV60AB



- | | |
|-------------------------------|---------------------|
| A: Tube temperature sensor | L: Evaporator |
| B: Room temperature sensor | M: Outdoor unit |
| C: Receiver and display board | N: Connection cable |
| D: Tube | O: Terminal block |
| E: Room | P: Power |
| F: Jumper cap | Q: Default |
| G: Printed circuit board | |
| H: Swing | |
| J: Stepper motor | |
| K: Fan motor | |

4D087785A

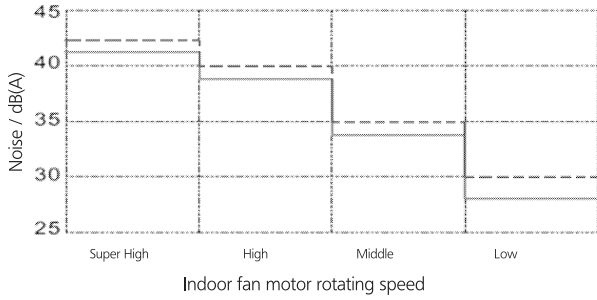
6 Sound data

6 - 1 Sound Pressure Spectrum

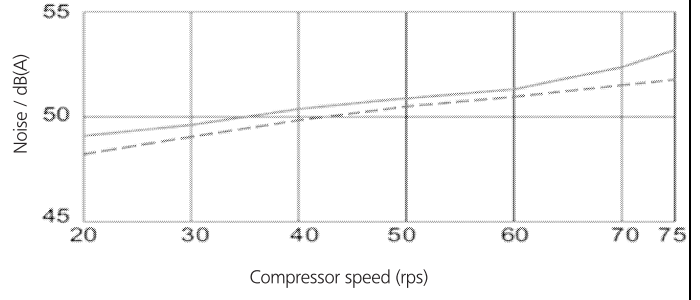
FTXV25-35AB

Cooling
 Operation conditions:
 Return air temperature: 27°CDB, 19°CWB
 Outdoor temperature: 35°CDB, 24°CWB

Indoor side noise when blowing



Outdoor side noise when compressor speed changed



25 Class

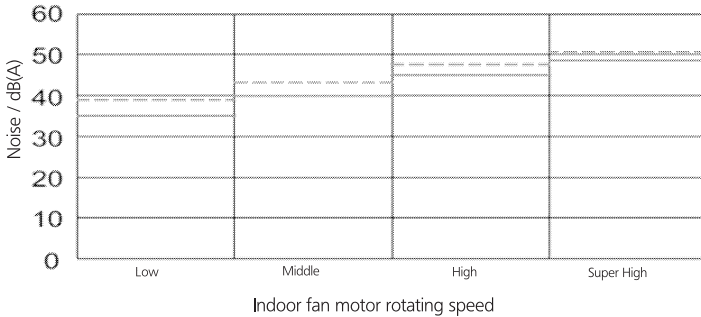
 35 Class

3D086223C

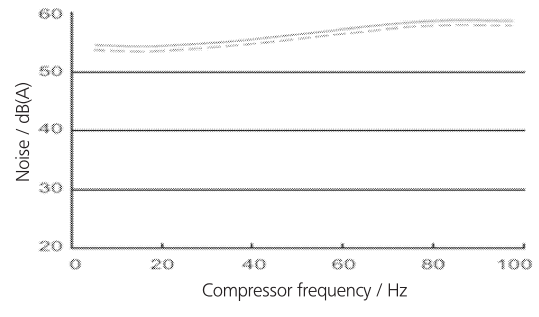
FTXV50-60AB

Cooling
 Operation conditions:
 Return air temperature: 27°CDB, 19°CWB
 Outdoor temperature: 35°CDB, 24°CWB

Indoor side noise when blowing



Outdoor side noise



50 Class

 60 Class

3D086228B



Daikin Europe N.V. participates in the Eurovent Certification programme for Liquid Chilling Packages (LCP), Air handling units (AHU) and Fan coil units (FCU). Check on-going validity of certificate online: www.eurovent-certification.com or using: www.certiflash.com

The present leaflet is drawn up by way of information only and does not constitute an offer binding upon Daikin Europe N.V.. Daikin Europe N.V. has compiled the content of this leaflet to the best of its knowledge. No express or implied warranty is given for the completeness, accuracy, reliability or fitness for particular purpose of its content and the products and services presented therein. Specifications are subject to change without prior notice. Daikin Europe N.V. explicitly rejects any liability for any direct or indirect damage, in the broadest sense, arising from or related to the use and/or interpretation of this leaflet. All content is copyrighted by Daikin Europe N.V.

BARCODE

Daikin products are distributed by: